



27" Wine Storage

Better wine storage conditions for the bottle ultimately means better enjoyment in the glass. Model 427G has a wine storage capacity of 132 (750 ml) bottles. Two independent storage zones maintain the temperature and humidity that wine — and wine lovers — require. The integrated design allows the unit to merge seamlessly into the décor, with no visible hinges or grilles.



FEATURES

- Custom front panels and hardware allow for infinite design options.
- Integrated design allows for dual installation with integrated unit.
- Full-size wine storage with individual temperature control of two separate compartments.
- Maintains ideal storing and serving temperature for all wines, humidity and UV protection.
- Temperature zones range from 39°F to 65°F.
- Full-view, UV-resistant glass door—high altitude glass available.
- Illuminated touch control panel.
- Discreet interior lighting.
- Wine shelves accommodate 750 ml bottles, half-bottles and magnums.
- Roller-glide wine shelves with natural cherrywood facing have three-quarter extension for easy access.
- Illuminated display shelf for prized bottles of wine.
- Can be connected to home security system.
- Star-K compliant with installation of a harness kit.

ACCESSORIES

- Stainless steel front panel with tubular or pro handle—80" or 84" finished height.
- Stainless steel tubular and pro handles.
- Dual installation kits for installation with integrated column, tall or drawer model.
- UL approved door lock.

Accessories are available through your Sub-Zero dealer. For local dealer information, visit the find a showroom section of our website, subzero.com.

ENEMIES OF WINE

Heat – Two independent storage zones can be set in a range of 39°F to 65°F, with one-degree digital accuracy.

Light – UV resistant bronze tinted glass shields wines from harmful rays.

Humidity – Dual evaporators, one for each storage zone, maintain steady, moderate humidity.

Vibration – Sub-Zero's quiet compressor lets wines rest undisturbed. Shelves glide out smoothly, providing access without agitating the wine.

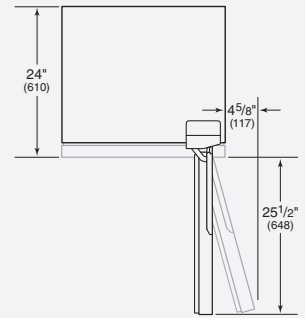
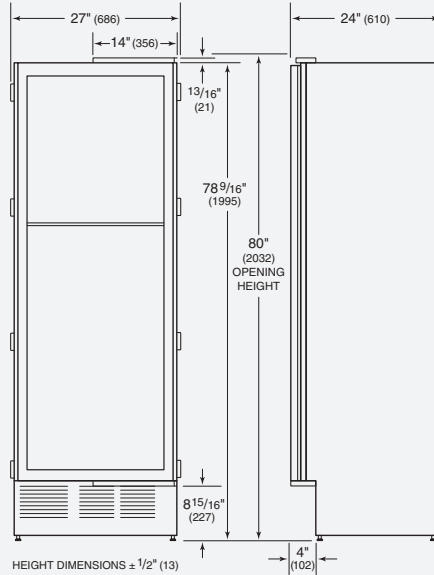
For additional information on the enemies of wine, visit www.subzerowine.com.





27" Wine Storage

OVERALL DIMENSIONS



DIMENSIONS WILL VARY WITH PANEL THICKNESS

Overall dimensions do not include panels or handles.

Unit dimensions may vary by $\pm 1/8"$.

SPECIFICATIONS

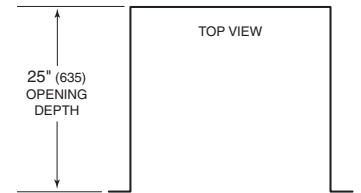
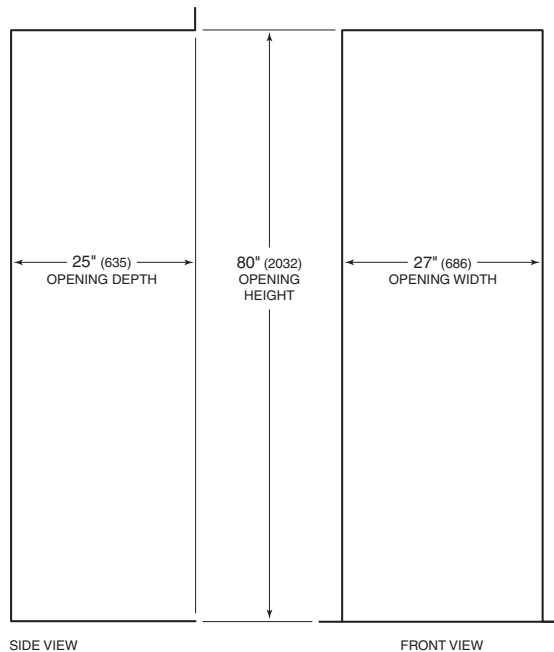
Overall Width	27"
Overall Height	80"
Overall Depth	24"
Door Clearance	25 1/2"
Wine Storage Capacity	132 bottles*
Opening Width	27"
Opening Height	80"
Opening Depth	25***
Electrical Requirements	115 V AC, 60 Hz 15 amp dedicated circuit
Shipping Weight	395 lbs

*750 ml bottles.

**Depth is 24" from the front of the unit to its back. Your design may necessitate moving the unit back, or cabinets forward to achieve a flush fit. This will require a minimum opening depth of 25".

INSTALLATION SPECIFICATIONS

Opening Dimensions



Dimensions in parentheses are in millimeters unless otherwise specified.

INSTALLATION NOTES

Stainless steel panels with handles are available as accessories. Panels can be ordered to include a lock. These panels are not installed at the factory.

Complete installation specifications, including panel sizes, can be found on our website, subzero.com/specs.

Location of Electrical Supply

