



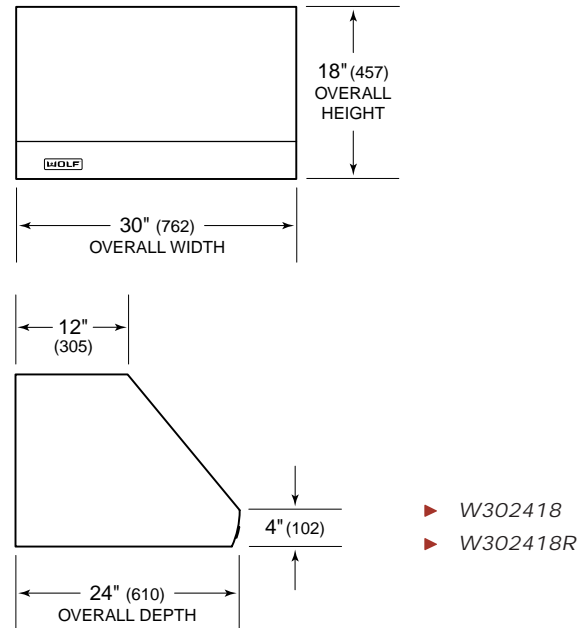
## 30-INCH (24-INCH DEEP) PRO SERIES WALL HOOD SPECIFICATIONS

### SPECIFICATIONS

Overall Width of Hood	30" (762 mm)
Overall Height of Hood	18" (457 mm)
Overall Depth of Hood (W302418)	24" (610 mm)
Finish	Classic Stainless Steel
CFM Recommendation	1 cfm per 100 Btu/hr (.03 kWh)
Internal Blower Options	900 cfm
Remote Blower Options	600, 900, 1200 or 1500 cfm
Transition	Included
Duct Size	10" (254 mm) Round
Backdraft	Included
Discharge – 24" (610 mm) D Hoods	Vertical (internal) Vertical or Horizontal (remote blowers)
Electrical Supply Requirements	110/120 V AC, 60 Hz, 15 amp dedicated circuit
Shipping Weight (W302418)	67 lbs (30.4 kg)

► Specifications are subject to change without notice.

### OVERALL DIMENSIONS



- Dimensions may vary by  $\pm 1/8"$  (3 mm).
- Dimensions in parentheses are in millimeters.

### BLOWER OPTIONS

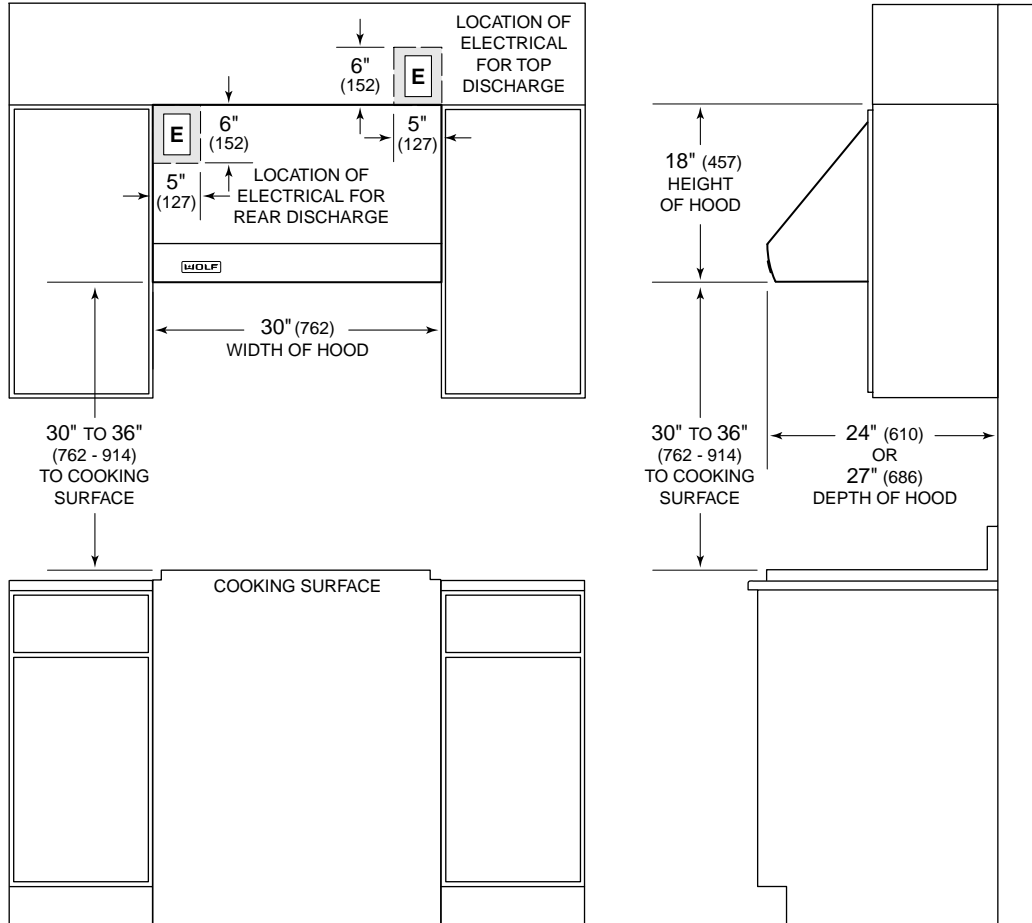
900 cfm Internal Blower (WBLOWER-90INT)	805086
600 cfm Remote Blower	801640
900 cfm Remote Blower	801641
1200 cfm Remote Blower	801642
1500 cfm Remote Blower	804701

### ACCESSORIES

- Decorative rail in stainless steel, platinum copper or brass
- 38" (965 mm) H stainless steel backsplash with warming rack
- 38" (965 mm) H stainless steel backsplash
- 6" (152 mm) and 12" (305 mm) ductcovers



## 30-INCH (24-INCH DEEP) PRO SERIES WALL HOOD SPECIFICATIONS



NOTE: Certain 24" (610mm) deep hoods can be top or rear discharge. Refer to the following page for additional details.

- ▶ Dimensions may vary by  $\pm 1/8"$  (3 mm).
- ▶ Dimensions in parentheses are in millimeters.

### DIMENSIONS

Overall Width of Hood	30" (762 mm)
Overall Height of Hood	18" (457 mm)
Overall Depth of Hood (W302418)	24" (610 mm)
Cooking Surface to Bottom of Hood	30" (762 mm) to 36" (914 mm)
Location of Electrical	Within shaded area

- ▶ See *Installation Instructions* shipped with unit for detailed specifications.



## 30-INCH (24-INCH DEEP) PRO SERIES WALL HOOD SPECIFICATIONS

### PRO SERIES WALL HOODS

The Pro Series wall hoods are recommended for use with all Wolf cooking appliances, with a few exceptions for the 22" (559 mm) deep hoods. All Pro Series wall hoods are available in classic stainless steel. (R) models include mounting holes for the optional decorative rail.

#### 24" (610 mm) Deep Wall Hoods

Available in 30" (762 mm), 36" (914 mm), 42" (1067 mm), 48" (1219 mm), 54" (1372 mm), 60" (1524 mm) and 66" (1676 mm) widths.

NOTE: Rear discharge is only applicable on 22" (559 mm) wall hoods (excluding W302210I and W362210I) and 24" (610 mm) wall hoods used with a WBLOWER-120INT (804702) or any Wolf remote blower. WBLOWER-90INT (805086) is not for use in rear discharge applications.

Also available are the following hoods (see specific PDF file for additional information):

#### 22" (559 mm) Deep Wall Hoods

Available in 30" (762 mm), 36" (914 mm), 42" (1067 mm) and 48" (1219 mm) widths. (I) models include a 600 cfm internal blower. **Do not use with Wolf dual fuel range, gas range and rangetop models with a charbroiler or griddle.**

#### 27" (686 mm) Deep Wall Hoods

Available in 30" (762 mm), 36" (914 mm), 42" (1067 mm), 48" (1219 mm), 54" (1372 mm), 60" (1524 mm) and 66" (1676 mm) widths.

### PLANNING AND DESIGN INFORMATION

Wolf Pro Series wall hoods are recommended for use with any Wolf cooking appliance, and should be as least as wide as the cooking surface. It is recommended that the hood overlap the cooking surface by 3" (76 mm) on either side.

Installation of all Pro Series wall hoods should be 30" (762 mm) to 36" (914 mm) from the bottom of the hood to the cooking surface.

24" wall hoods are shipped without the blower assembly. The blower or ventilator assemblies are quite varied, and depending on the amount of air you want to move and the length of the duct run, you have many options. You also need to consider if you are going to use these assemblies as internal blowers or mount them externally.

Refer to the *Pro Series Ventilation Recommendations* charts at the end of this section or contact your Wolf dealer for additional information.



# 30-INCH (24-INCH DEEP) PRO SERIES WALL HOOD VENTILATION REQUIREMENTS / RECOMMENDATIONS

## PRO SERIES BLOWER OPTIONS

Number	Description	Hood Type
WBLOWER-90INT	Internal Blower 900 CFM	30", 36" and 42" (24"D) Wall Hoods
CTBLOWER-60REM	Remote Blower 600 CFM	36", 42", 48" (22"D) Wall Hoods and 30" (24"D and 27"D) Wall Hoods
CTBLOWER-90REM	Remote Blower 900 CFM	36", 42", 48" (22"D) Wall Hoods, 30", 36", 42" 48" and 54" (24"D and 27"D) Wall Hoods, 36", 42" and 54" Island Hoods and 36", 42", 48" and 54" Liners
CTBLOWER-120REM	Remote Blower 1200 CFM	All 24"D and 27"D Wall Hoods, All Island Hoods and Liners (except L282212I)
CTBLOWER-150REM	Remote Blower 1500 CFM	All 24"D and 27"D Wall Hoods, All Island Hoods and Liners (except L282212I)

## OPTIONAL DECORATIVE HOOD RAILS

These decorative rails can be added to any new design wall or island hood and must be ordered at the same time as the hood. When placing your order, be sure to include the proper finish code to correspond with the optional bezel package you may be requesting. They are available only with the "New Design" Pro Series Hoods.

Stainless Steel (SS) Brass (BR) Copper (COP) Platinum (PLT)

## DECORATIVE HOOD RAILS

Number	Description	Hood Type
RAIL-30/_	Decorative Hood Rail	30-inch Wall Hood

## PRO SERIES BACKSPLASHES

Number	Description	Hood Type
30BAK-SPLH/DF	30"W x 38"H Backsplash with 2 Warming Racks	30-inch Wall Hoods
30BAK/DF	30"W x 38"H Stainless Steel Backsplash	30-inch Wall Hoods

## PRO SERIES DUCT COVERS - WALL HOODS

Number	Description	Hood Type
DUC6COVER30W	6-inch Duct Cover	30-inch Wall Hoods
DUC12COVER30W	12-inch Duct Cover	30-inch Wall Hoods

## MINIMUM CFM REQUIREMENTS

Pro Series Hoods	CT15E	CT15G	CT30E	CT30G	CT36E	CT36G	IG15**	IM15	IS15**	IF15**
All Hoods	215*	215*	600	600	600	600	400*	215*	215*	215*

\*Use these requirements to determine total CFM when installing multiple cooking products.

\*\*Downdrafts are not recommended for use with IF15 or IS15.

NOTE: CFM requirements are averages based on total BTU output. Wolf recommends 1 CFM per 100 BTU. Additional CFM required for charbroilers, griddles and long duct runs.



# 30-INCH (24-INCH DEEP) PRO SERIES WALL HOOD VENTILATION REQUIREMENTS / RECOMMENDATIONS

## MINIMUM CFM REQUIREMENTS

Wall Hoods (24"D)	R/DF304	R/RT/DF364	R/RT/DF366	R/RT488	R/RT/DF486	R/RT/DF484	R/RT/DF482	R/DF606	R/DF604
W302418	600								
W362418	600	900	900						
W422418		900	900						
W482418				1200	1200	900	900		
W542418				1200	1200	900	900		
W602418								1500	1200
W662418								1500	1200

## BLOWER CROSS-REFERENCE

Wall Hoods - 24-inch Deep	Blower	Number	Duct	Discharge
W302418, W362418 or W422418	Internal 900 CFM	WBLOWER-90INT	10" Round	Vertical
W302418, W362418 or W422418	Remote 600 CFM	CTBLOWER-60REM	10" Round	Adjustable
W302418, W362418 or W422418	Remote 900 CFM	CTBLOWER-90REM	10" Round	Adjustable
W302418, W362418 or W422418	Remote 1200 CFM	CTBLOWER-120REM	10" Round	Adjustable
W302418, W362418 or W422418	Remote 1500 CFM	CTBLOWER-150REM	10" Round	Adjustable
W482418, W542418, W602418 or W662418	Internal 1200 CFM	WBLOWER-120INT	10" Round	Adjustable
W482418, W542418, W602418 or W662418	Remote 900 CFM	CTBLOWER-90REM	10" Round	Adjustable
W482418, W542418, W602418 or W662418	Remote 1200 CFM	CTBLOWER-120REM	10" Round	Adjustable
W482418, W542418, W602418 or W662418	Remote 1500 CFM	CTBLOWER-150REM	10" Round	Adjustable

NOTE: Transition with backdraft damper included.