



# TAMBURO

ZTAE30S ZTAE36S

At Zephyr ventilation, we recognize the kitchen is the center of your home.

So for us, good design isn't an after-thought or a luxury, it's an invitation to be a little different. Quiet, efficient and modern, each of our high performance ventilation hoods is thoughtfully designed to bring a distinctive presence to any kitchen.

Because even though it's the center of everyday life, who says your kitchen has to feel so everyday?



**ZEPHYR**  
www.zephyronline.com

E U R O P A C O L L E C T I O N

**MODEL: ZTA-E30S ZTA-E36S**

ZTA-E30 (S)	30 inch
ZTA-E36 (S)	36 inch
color	stainless

**PERFORMANCE**

cfm	400 cfm
sones (max)	5.0
input	115V - 60Hz

**FEATURES**

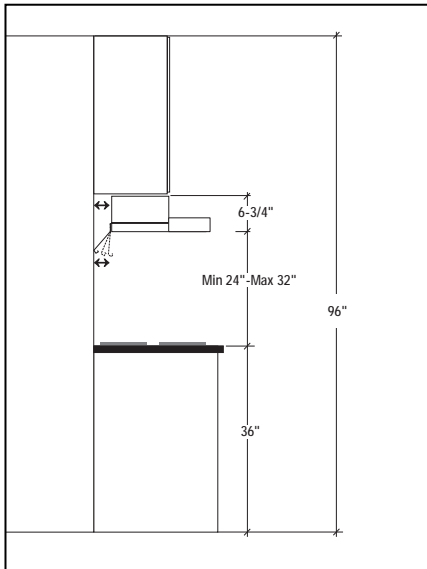
halogen lamps	2
dual level lighting	N/A
slide controls	•
3 speed levels	•
aluminum filters	•
adjustable depth	•

**DUCT OPTIONS**

vertical ducting	5 inch
vertical ducting 2	3.25x10 inch
rear ducting	3.25x10 inch
ductless option	•

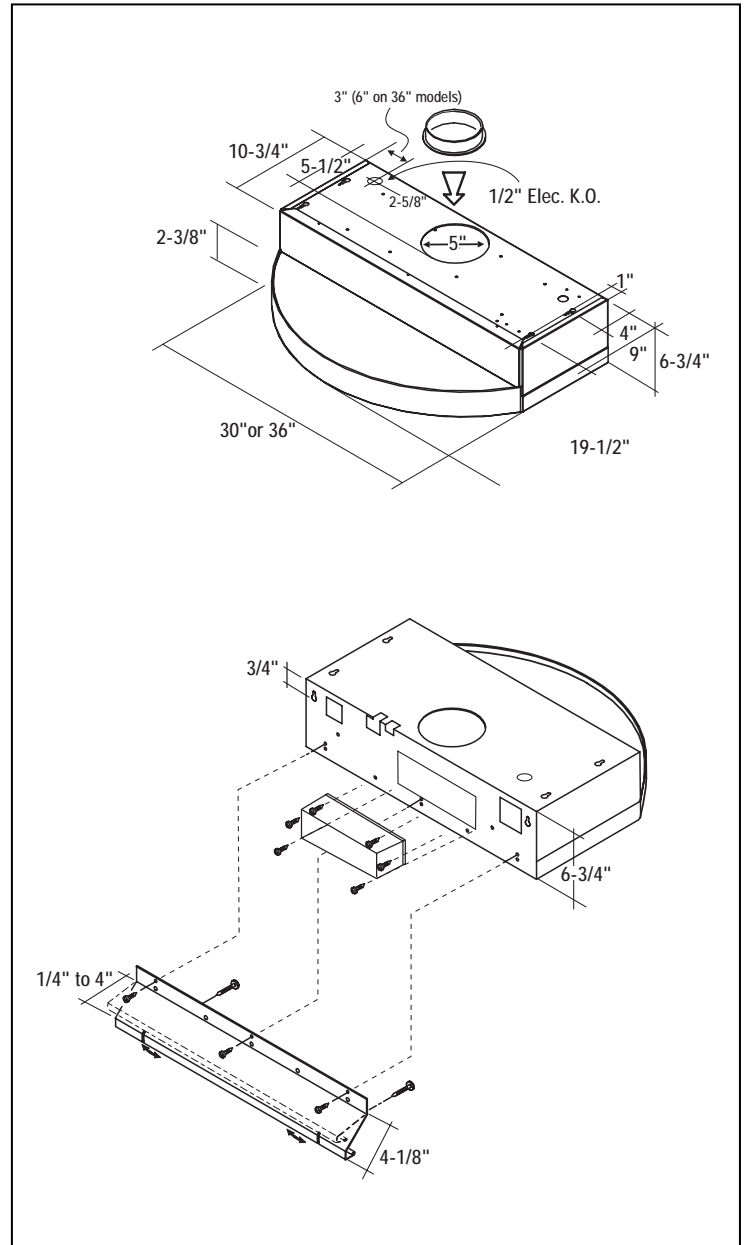
**ACCESSORIES**

carbon filters (2)	ZOF-C022
replacement filters-30" (2)	ZOF-M032
replacement filters-36" (3)	ZOF-M033
replacement lights (2)	E27 50W



# TAMBURO

ZTA-E30S ZTA-E36S



**ZEPHYR**  
www.zephyronline.com